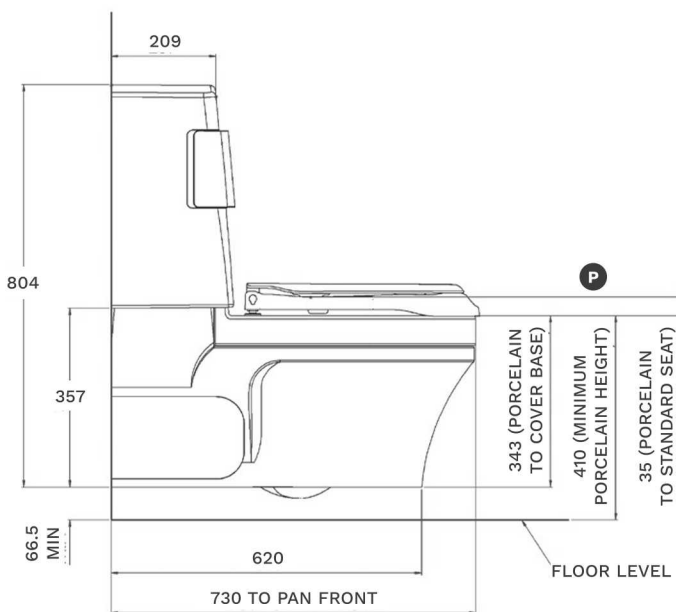
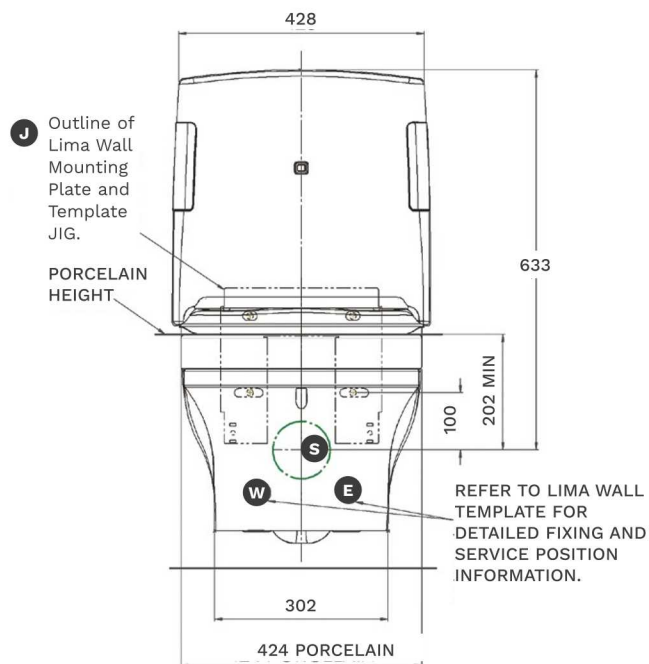
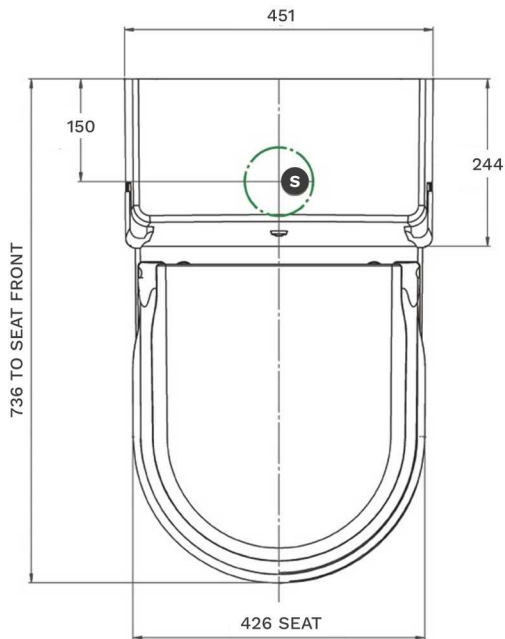


Key:

- (P) – Determine porcelain height - minimum
- (J) – Locate wall template jig for mounting plate
- (S) – Locate waste pipe/soil position
- (W) – Locate cold water supply
- (E) – Locate electrical supply



- Safe working load: 190kg/30st
- Overall dimensions: 804mm high x 451mm wide x 730mm deep

W Water Services

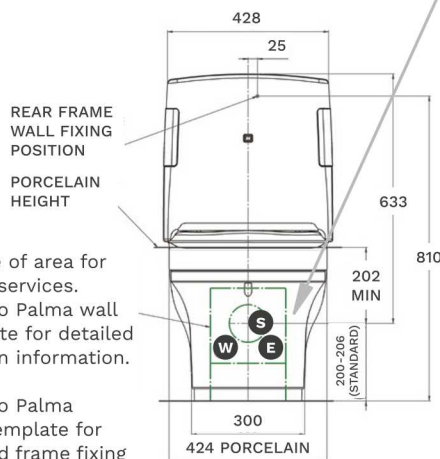
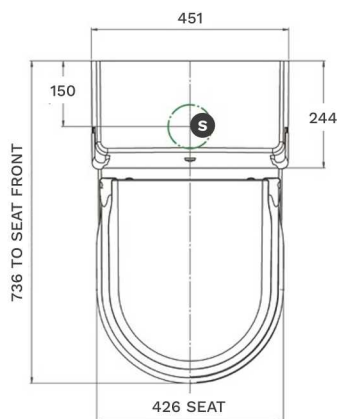
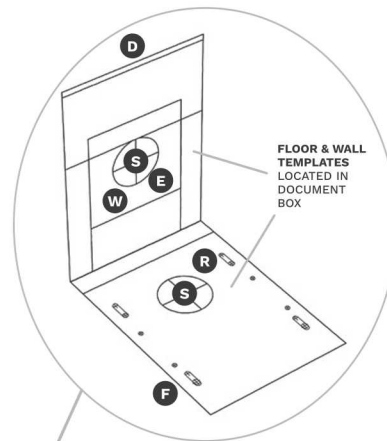
Supplied with 15mm stainless steel braided outer, EDM inner WRAS approved flexible hose completed with integral isolation valve. (Please refer to page 30, water services prior to installation).

E Electrical Services

Supplied with 1000mm long, three core (live/neutral/earth) insulated 3183Y-I-white control flex-cable, rated to 220V/240V, 10 amps. (Please refer to page 30, electrical services prior to installation).

S Waste Details

Pan has a horizontal spigot standard 100mm diameter outlet, suitable for standard pan connection fittings.



W Outline of area for Palma services. Refer to Palma wall template for detailed position information.

J Refer to Palma floor template for detailed frame fixing information.

D Rear Wall Fixing

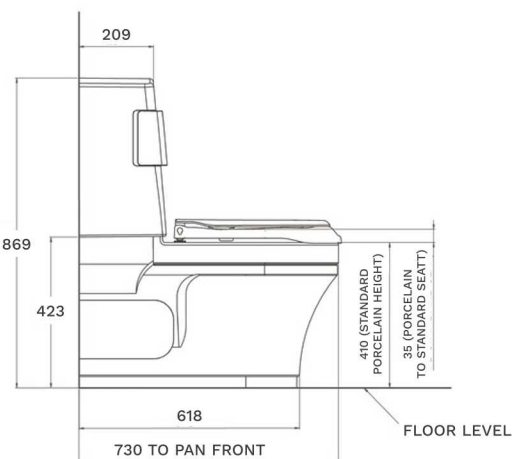
Position 25mm to RH of the centreline. 810mm from the floor.

R Rear Floor Fixing (2No)

(Standard Installations) Position on the floor 102mm from the rear wall. 119.5mm to each side of the centreline.

F Front Floor Fixing (2No)

(When using Support Arms) Position on the floor 327mm from the rear wall. 119.5mm to each side of the centreline.



- Safe working load: 190kg/30st
- Overall dimensions: 869mm high x 451mm wide x 730mm deep