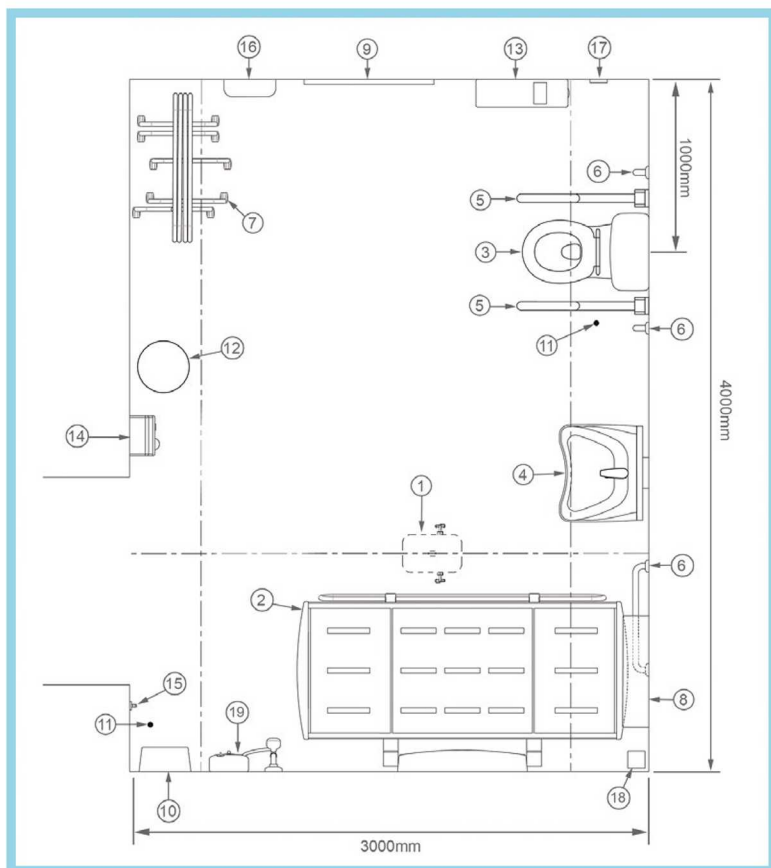


Example of fittings & accessories in a Changing Places facility

Technical data

Minimum space requirement: 12m²



Key/specification

- ① Full room cover overhead track hoist system (CP XY I).
- ② Height adjustable adult-sized changing bench (CP CB 3-7).
- ③ WC (CP WCLL 1).
- ④ Height adjustable wash basin (CP WBB 1-6).
- ⑤ Drop down rails (CP DDR I).
- ⑥ Vertical/horizontal grab rail (CP GR I).
- ⑦ Retractable privacy curtain/screen (CP WS I).
- ⑧ Wide paper roll dispenser for use on the changing bench (CP PD I).
- ⑨ Full length mirror (CP M I).
- ⑩ Paper towel dispenser.*
- ⑪ Alarm pull cord.*
- ⑫ Waste disposal bin.*
- ⑬ Large sanitary disposal bin.*
- ⑭ Manually operated hand-dryer.*
- ⑮ Two clothes hooks, at 1051mm and 1400mm above the floor.*
- ⑯ Sanitary towel dispenser.*
- ⑰ Alarm reset button.*
- ⑱ Floor drain.*
- ⑲ Shower (optional).*

*supplied by others

Note 1: Provision of a wash and dry (shower) type WC can enable greater independence and dignity for users.

Note 2: Provision of a shelf can be beneficial for users.